

INSTRUCTIONS AND REPAIR PARTS LIST

MFD85 and WFD85 FIELD DRINKER

READ ALL DIRECTIONS CAREFULLY BEFORE BEGINNING INSTALLATION

TOOLS REQUIRED: Adjustable Wrench, 1/2" Socket Wrench with Extension, Rubber Mallet, Anti-Seize Compound (Permatex or Comparable)

MFD85 and WFD85 Parts List

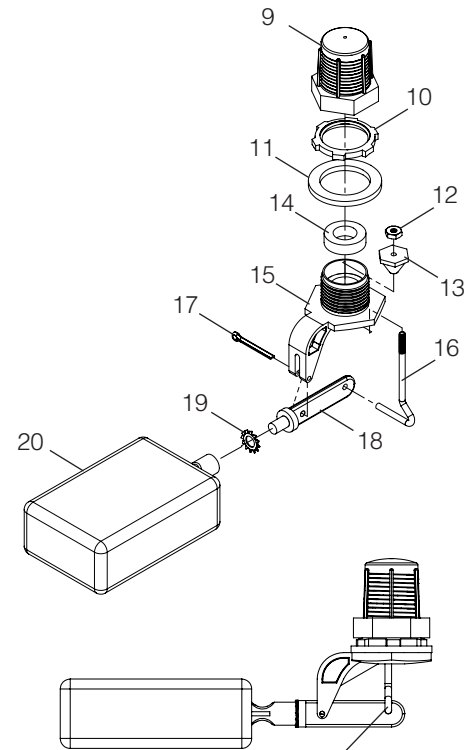
Ref. No.	Part No.	Description	Qty
1	WFD851	Tank	1
2	WFD852	Base, Blue	1
2	MFD852	Base, Red	1
3	WFD853	Vented Cap with Plug	1
WFD856 - MFD85/WFD85 Hardware Box Contains Ref. Nos. 4-20			
4	OP120	Solid Stopper, Rubber	3
5	WFD854	Lip Guard, SS	2
6	OF358	5/16" Flat Washer, SS	8
7	OF310	5/16"-18 x 3/4" Hex Head Bolt, SS	4
8	OF338	5/16"-18 x 2-1/2" Hex Head Bolt, SS	4
B78P - Valve and Float Assembly Contains Ref. Nos. 9-20			
9	A15P	Hex Screen Filter, Poly	1
10	B83	3/4" Conduit Locknut, Zinc	1
11	A19	1-1/16" Washer, Fiber	1
12	OF51	#6-32 Hex Machine Nut, Brass	1
13	B80P	Hex Cone, Poly	1
14	B82	1/2" ID x 7/8" OD Washer, Rubber	1
15	B84P	Valve Body, Poly	1
16	3B1	Hook Rod, Brass	1
17	B100	1/8" x 1" Cotter Pin, Brass	1
18	W80B11P	Float Arm, Poly	1
19	OF116	1/4" External Tooth Lockwasher, SS	1
20	OP346	Float, Poly	1

All parts listed are available as repair parts.

Valve Repair Packages - See Exhibit A

Part No.
B77P - Valve Only; Contains Ref. Nos. 9-16
B79P - Float and Float Arm; Contains Ref. Nos. 18-20
B81 - Hook, Rod, Cone Assembly; Contains Ref. Nos. 12, 13 & 16

EXHIBIT A - B78P Valve



Note: The thinner tear-out distance of the W80B11P Float Arm should face upward.

Submersible Heating Options...

Both the Tank and Base can use a submersible heater to prevent freezing. See Exhibit B for locations. Use a **submersible** cast aluminum heater or order an OP284P, 250 Watt Utility Heater.

In most situations, a heater is only needed in the trough. For minimal drinking activity (typically less than 7 head) a heater is recommended in both the Tank and Base. Secure all electrical cords. Use a qualified electrician for any electrical connections.

OP284P



MODEL NUMBER

The MODEL NUMBERS are: WFD85 or MFD85 Field Drinker

WHEN ORDERING PARTS

- (1) Show MODEL NUMBER and NAME: Example - WFD85 Field Drinker
- (2) Show PART NUMBER and FULL DESCRIPTION of part: Example - WFD852 Base

HOW TO ORDER PARTS

Repair parts may be ordered from your dealer.



PO BOX 2000 • HOUGHTON, IOWA 52631 • USA
PHONE: 319-469-4141 FAX: 319-469-4402
www.hawkeysteel.com E-MAIL: sales@hawkeysteel.com



ISHWFD85
REV. 3.0
PRINTED IN U.S.A.

ASSEMBLY INSTRUCTIONS

DO NOT TIGHTEN ANY FASTENERS UNTIL INSTRUCTED TO DO SO!

STEP 1: Check the materials received against the parts list to ensure all parts are present.

STEP 2: Review Exhibit B. Turn the tank over so the bottom is facing you. Locate the B78P Valve and Float Assembly (Ref. Nos. 9-20). Remove only the Screen Filter (Ref. No. 9) and Lock Nut (Ref. No. 10). Locate the word "FLOAT" on the bottom of the tank. Insert the threaded portion of the valve through the hole in the tank indicated by the arrow. The Fiber Washer (Ref. No. 11) should be on the outside of the tank. Make sure the Float is pointing toward the outside edge of the Tank as indicated by the arrow on the Tank. Thread the Lock Nut onto the Valve and tighten.

CAUTION: Do not over tighten or you may damage the valve.

STEP 3: After the Valve and Float Assembly is secure, thread the Screen Filter (Ref. No. 9) onto the valve. This only needs to be finger tight.

NOTE: If you are using a heater in the waterer base, position heater in the base at this time. Make sure the power cord is laying in the notch in the side of the tank base. See Exhibit B.

STEP 4: Lay the Tank on it's side. Put the top of the Base (Ref. No. 2) against the bottom of the tank. Make sure the float is on the opposite side of the base from the power cord notch. See Exhibit B. Line up the holes in the center section of the base with the threaded inserts molded into the bottom of the tank and attach the base to the tank using four (4) 5/16" x 2-1/2" Hex Head Bolts and four (4) 5/16" Flat Washers (Ref. Nos. 8 & 6). USE ANTI-SEIZE COMPOUND ON THE THREADS. You may want to remove the fasteners at some point and using this compound will extend the life of the threads. Tighten the bolts securely.

STEP 5: Turn the Drinker upright and insert a three (3) Rubber Stoppers (Ref. No. 4) into each drain hole in the drinker openings and the drain hole in the bottom of the Tank next to the Valve. A couple taps with a rubber mallet will ensure the plugs are in properly.

STEP 6: Next install the two (2) Lip Guards (Ref. No. 18), slots facing out, using four (4) 5/16" x 3/4" Hex Head Bolts and 5/16" Flat Washers (Ref. Nos. 7 & 6). Tighten all.

STEP 7: Your drinker is now ready to fill. It is recommended to fill the Tank halfway while adjusting the water level in the trough. When full, the recommended water level in the Base is 1" below the top edge of the trough. To increase the water level in the trough, remove the Screen Filter from the Valve and turn the end of the Hex Cone and #6 Machine Nut (Ref. No. 13 & 12) counter-clockwise. See Exhibit C. To decrease the water level, turn the end of the Hex Cone and #6 Machine Nut clockwise. After valve adjustment, be sure to screw the Screen Filter back onto the Valve.

Note: The Valve may slowly trickle for up to half an hour. During that time water level will slowly increase.

STEP 8: Fill the tank up to the top demarcation line. Screw on the Vented Cap with Plug (Ref. No. 3). Your Drinker is now ready for use!

Note: If you are using a tank heater, remove the plug from the center of the Vented Cap and thread the tank heater power cord through the hole in the cap.

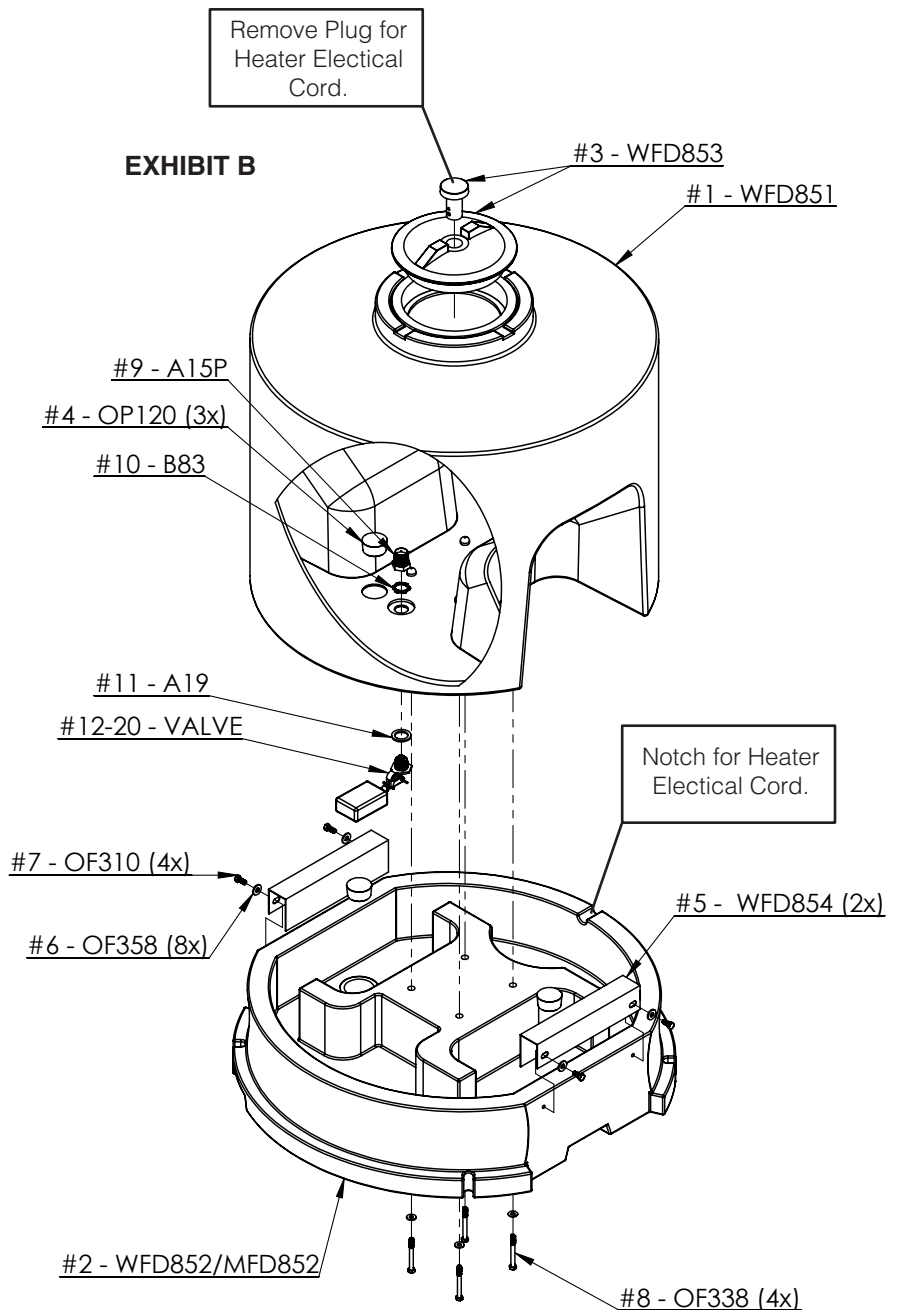


EXHIBIT C - Adjusting Water Level

